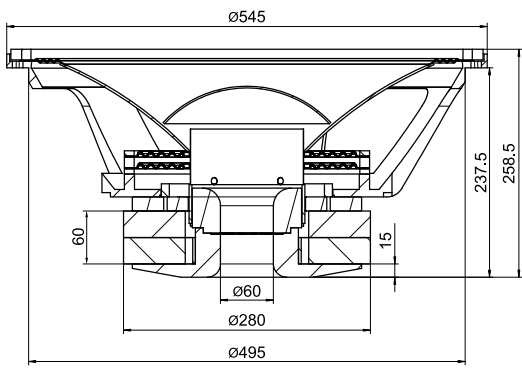
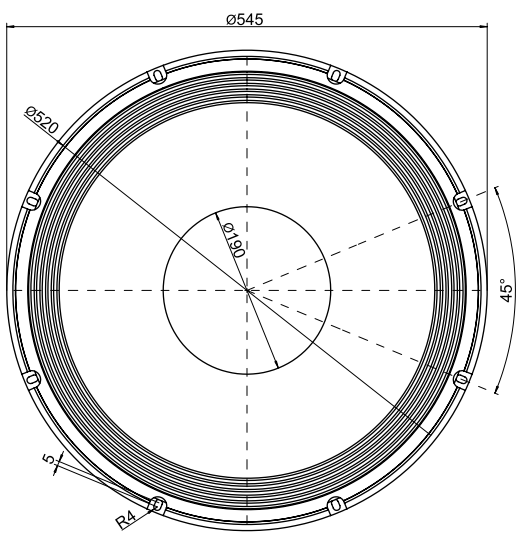




PSS545HE-4 21" Pro Subwoofer with 5" Voice Coil 4 Ohm



PARAMETERS	
Impedance	4 ohms
Re	3.8 ohms
Le	8.2 mH
Fs	28.8 Hz
Qms	7.28
Qes	0.28
Qts	0.27
Mms	511.2 g
Cms	0.06 mm/N
Sd	1,590 cm ²
Vd	3,338 cm ³
BL	35.5 Tm
Vas	212.2 liters
Xmax	21 mm*
VC Diameter	5"
SPL	97.7 dB @ 2.83V/1m
RMS Power Handling (AES 426B)	2,000 watts
Usable Frequency Range (Hz)	18 - 600 Hz

* at 70% BI (Klippel verified)

- ### FEATURES
- 21mm of linear one-way excursion
 - 2000W RMS power handling
 - 5" inner/outer wound voice coil
 - Large dual spiders spaced out to promote linearity
 - Extensively vented motor to minimize compression
 - Audible over-excursion protection system

